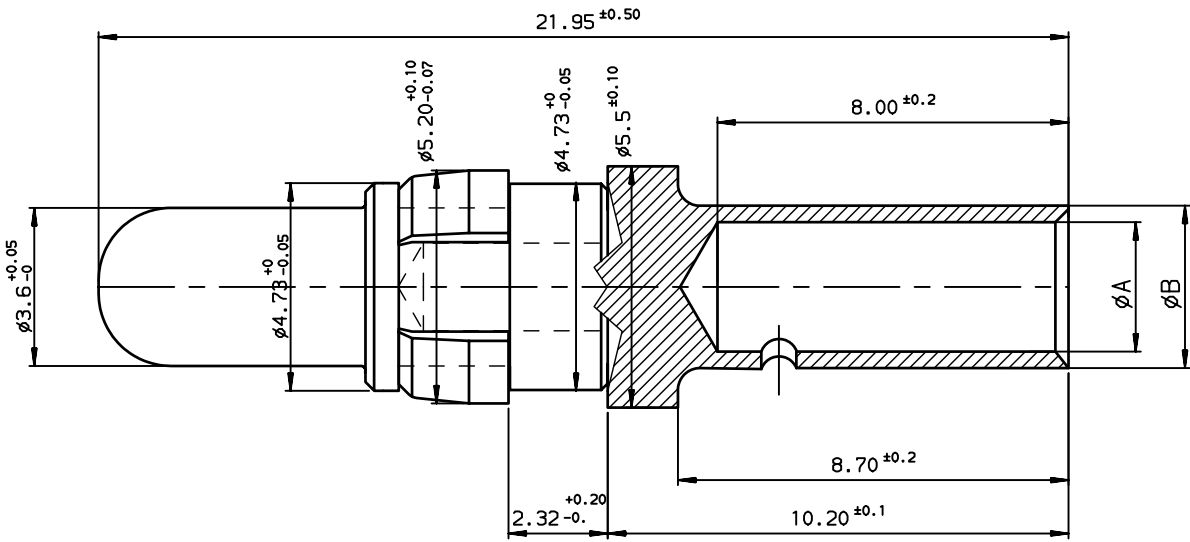


1			2			3			4		
Plating active zone 1.27 μ mini	Plating active zone 0.8 μ mini	Plating active zone 0.4 μ mini	Plating active zone 1.27 μ mini	Plating active zone 0.8 μ mini	Plating active zone 0.4 μ mini						
8638PPC4007	8638PPC4006	8638PPC4005	8638PPC4007LF	8638PPC4006LF	8638PPC4005LF	40	8-10	5-8	4.70	5.50	blue
8638PPC3007	8638PPC3006	8638PPC3005	8638PPC3007LF	8638PPC3006LF	8638PPC3005LF	30	9	6	3.75	4.75	white
8638PPC2007	8638PPC2006	8638PPC2005	8638PPC2007LF	8638PPC2006LF	8638PPC2005LF	20	12-14	2-3	2.80	3.70	red
8638PPC1007	8638PPC1006	8638PPC1005	8638PPC1007LF	8638PPC1006LF	8638PPC1005LF	10	16-18	0.9-1.3	1.80	2.55	black
TIN LEAD PART NUMBER	TIN LEAD PART NUMBER	TIN LEAD PART NUMBER	LEAD FREE PART NUMBER	LEAD FREE PART NUMBER	LEAD FREE PART NUMBER	CURRENT max A	AWG	mm ²	∅A ⁺⁰ _{-0.05}	∅B ⁺⁰ _{-0.05}	Clip colour
						WIRE AREA					

NOTE:RoHS INFORMATIONS

- The "LF" products meet European union Directives and other country regulations as described in 65-22-008.
- Termination plating spec: Cu 2 +0 +2 μm, Sn 3 +0 +3μm (pure matte)
- Packaging spec: see 65-14-920 contact:CuZn40 Pb3 1μNi+gold



Materials and finish for TIN LEAD

contact:CuZn40 Pb3 1μNi+gold
Crimping sleeve:CuZn40Pb3 tempering 2μNi+2μSnPb mini

Clip : plastic

Technical characteristics

Peak voltage: 750Veff.
Operating voltage: 500Veff.
Temperature range:-55°C ±125°C
Packaging per 100
Current capability see table

Mechanical characteristics:

Crimping test:according to MILC39029
Mechanical endurance : > 200 matings/unmatings .
Contact insertion force in insulator:
60N maxi in a hole of 4.80mm

Examination of product:

Remove all burns and sharp edges 0.08 maxi
No scratch on all pieces

European Views

www.fciconnect.com		surface ISO 1302 ✓	tolerance std ISO 406 ISO 1101	projection A3	mm
TOLERANCES UNLESS OTHERWISE SPECIFIED					
Dr	JARRY	2002/02/28	ANGULAR	0.X	±0.1
Eng	PESSON	2002/02/28	LINEAR	0.XX	±0.1
Chr	LEGARE	2002/02/28	0.XX' ±2'	0.XXX	±0.1
Appr	LEGARE	2002/02/28	Product family	D-SUB	Spec ref -
title MALE POWER CONTACT FOR CRIMP CONNECTION		dwg no C01-8638-0325		Rev. J	
catalog no		CUSTOMER		sheet 1 of 1	

rev	ecn no	dr	date
F	-	JAR	2002/02/28
G	LS05-006	MPE	2005/04/14
H	LS06-0097	LGO	2006/07/27
J	LS08-0029	MPE	2008/01/28
-	-	-	-
-	-	-	-
-	-	-	-